



Toyota Wheel Spacer Kit Instructions

General Description

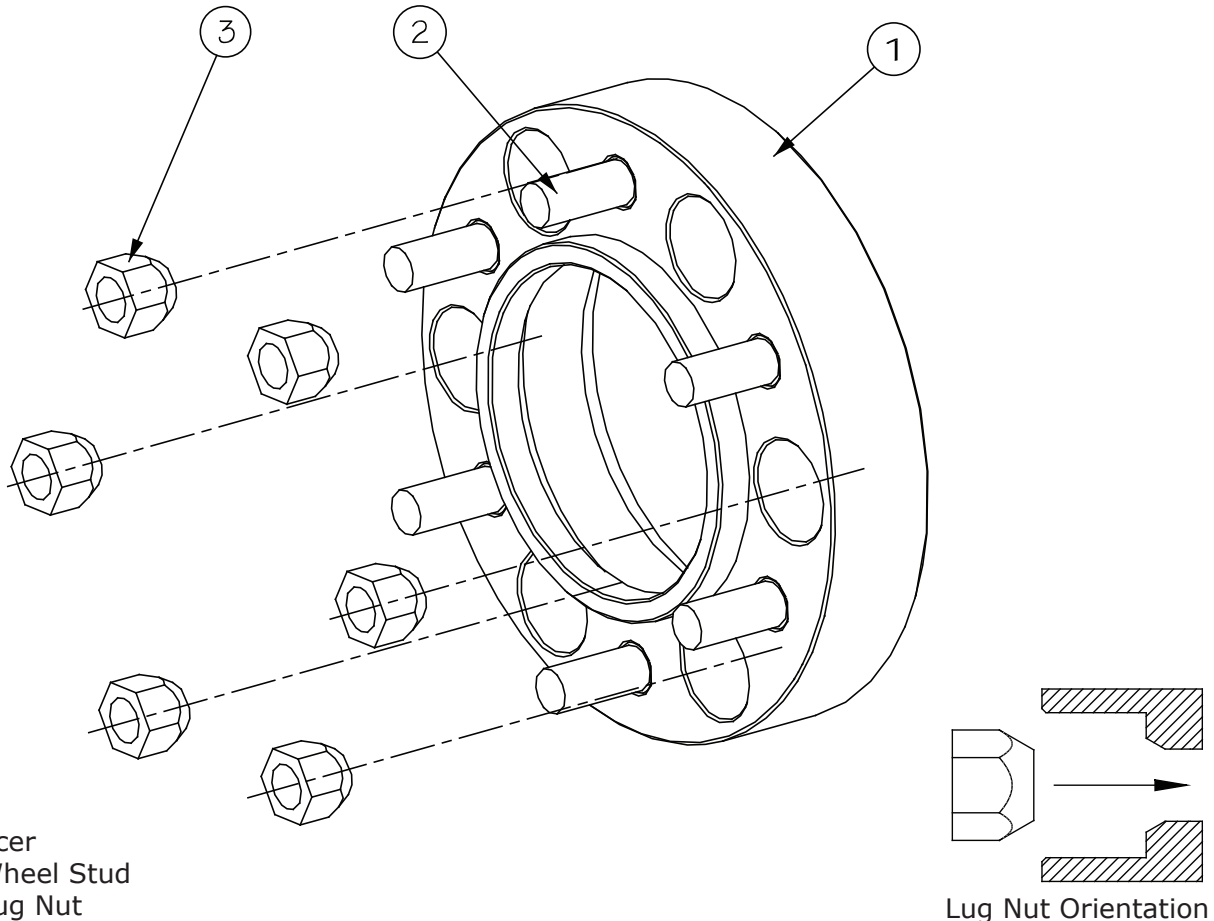
Each Spidertrax Toyota Wheel Spacer Kit comes complete with 2 wheel spacers, 12 grade 10.9 wheel studs (pre-installed), 12 lug nuts, and thread locker. All Spidertrax wheel spacers/adapters are anodized blue, which is a double anodizing process for twice the corrosion resistance. Proudly designed & manufactured in Colorado.

To install the Spidertrax Toyota Wheel Spacer Kit, follow these steps:

1. Remove tire as per Toyota Service Manual procedure. Remove drum/rotor retainer clip(s) if present.
2. Have another person apply brakes to prevent drum/rotor from spinning. Apply provided thread locker to OEM wheel studs and assemble spacer to drum/rotor face by torquing provided wheel spacer lug nuts to **85 ft-lbs** as shown in **Fig. 1** (**DO NOT use more than one spacer per wheel and DO NOT use an impact gun**). Once installed, be sure OEM wheel studs DO NOT extend past new wheel mounting surface of wheel spacer.
3. Install factory steel/aluminum wheel to wheel spacer using existing lug nuts. Tighten lug nuts in a criss-cross pattern to 75-85 ft-lb.
4. To ensure wheel spacer lug nuts are properly seated, after driving 50 miles remove wheel and check wheel spacer lug nuts by torquing them at 75 ft-lb. **If wheel spacer lug nuts move at all when torqued at 75 ft-lb, go back to Step 2 and repeat installation.** Otherwise, move on to Step 5.
5. Re-assemble wheel to wheel spacer using existing lug nuts. Tighten lug nuts in a criss-cross pattern to 75-85 ft-lb.

Spidertrax Disclaimers & Warranty Card is located on the back of these instructions.

Fig. 1





SPIDERTRAX
OFF-ROAD

Disclaimers & Warranty

WARNING

INSTALLATION OF ANY COMPONENT OR SYSTEM SHOULD ONLY BE PERFORMED BY THOSE EXPERIENCED IN AUTOMOTIVE MECHANICS AND PROCEDURES.

Spidertrax warrants only to the original purchaser that all products will be free from defects in materials and workmanship. The foregoing warranty is subject to the proper installation, operation and maintenance of the product in accordance with the installation instructions supplied. Warranty claims must be made by the purchaser in writing within 30 days of the manifestation of a problem and purchaser must present acceptable proof of original ownership (such as copy of original receipt). Spidertrax reserves the right, before having any obligation under this Limited Lifetime Warranty, to inspect the damaged product and all costs of shipping the product to Spidertrax for inspection shall be borne solely by the purchaser. Spidertrax's sole obligation under the foregoing warranty is, at Spidertrax's option, to repair, replace or correct any such defect that was present at the time of delivery. The foregoing warranty is not transferable to another party and does not apply to any purchaser who bought the product from a reseller or distributor not authorized by Spidertrax.

FOR OFF-ROAD USE ONLY

DRIVE THE VEHICLE UNDER CONTROLLED CONDITIONS TO ENSURE PROPER INSTALLATION OF COMPONENTS. GRADUALLY, WORK UP TO FOUR WHEELING SPEEDS.



Toyota Wheel Spacer Kit Installation Instructions