



High Performance Outboard Oil Seal Kit

The Spidertrax High Performance Outboard Oil Seal Kit is designed to properly seal your Spider 9 axle shaft on the outboard side of your Spider 9 housing (wheel side). The unique “stretchy” design of the seal allows it to work with all Spidertrax Ultimate Axle Shafts up to 40 spline diameter. Each kit comes complete with a steel seal housing and two rubber seal inserts.

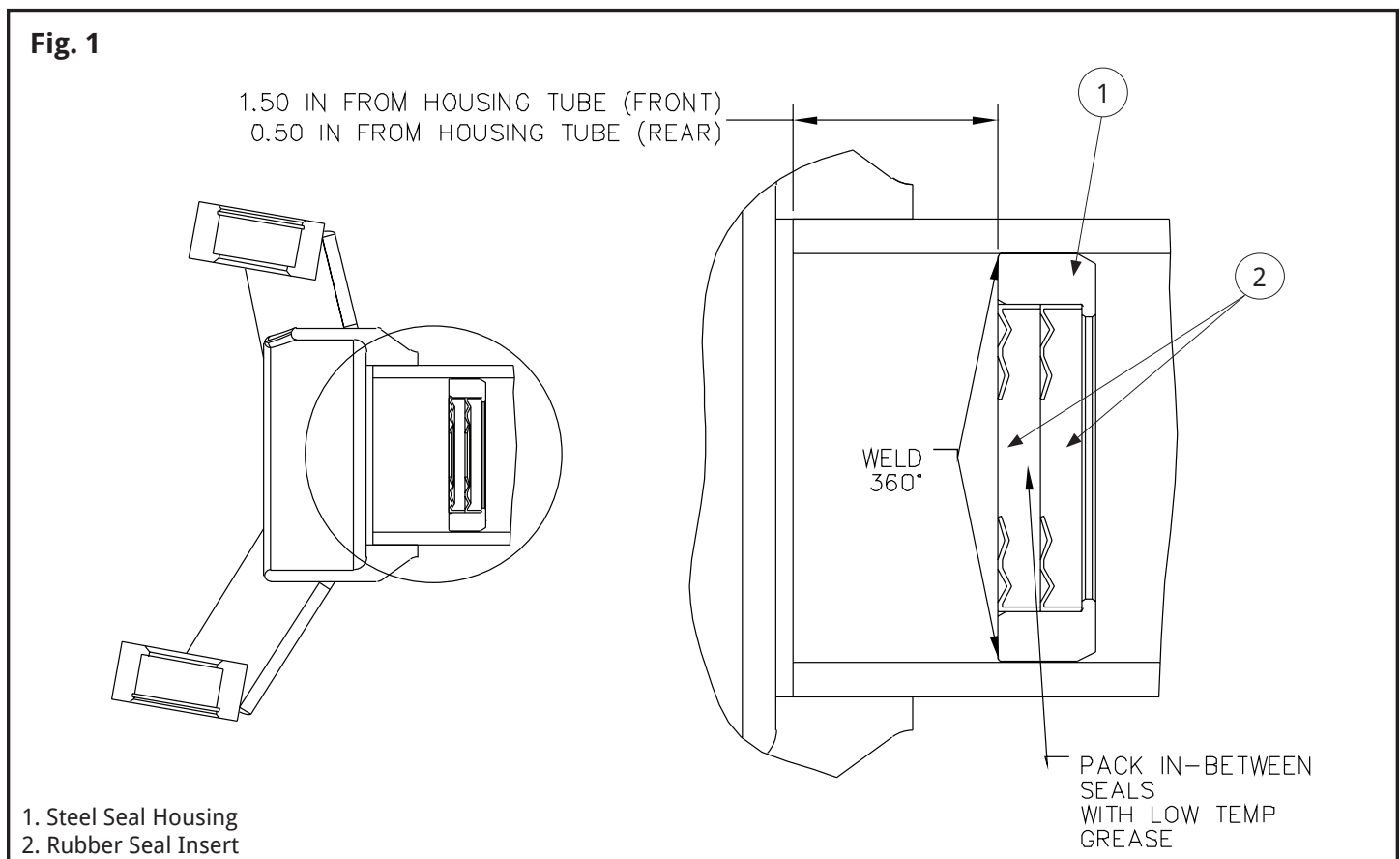
FOR REAR APPLICATION: The Spidertrax High Performance Outboard Oil Seal Kit was designed specifically with rear ends in mind. Installing seals on the outboard side of your housing will allow for larger oil capacity.

1. BEFORE the rubber seal inserts are installed, install the steel seal housing in orientation as shown in Fig 1.
2. Recess the steel seal housing approximately 1/2” in from tube end. This will allow for plenty of clearance between it and your Ultimate Unit Bearings.
3. With steel seal housing in place, weld it to housing tube around steel seal housing OD, as shown in Fig 1. Take care with this weld, along with the seals itself, it will be used to seal oil in your housing.
4. Once the steel seal housing cools, you may install two rubber seal inserts as shown in Fig 1. Pack in-between the two seal inserts with a non-synthetic low temp grease. **DO NOT USE HIGH TEMP PERFORMANCE GREASE**, the lower the temp grease the better.

FOR FRONT APPLICATION: While the Spidertrax High Performance Outboard Oil Seal Kit was designed with rear ends in mind, it can also be used for keeping dirt and debris out of your front Spider 9 housing tubes. We still recommend running Spidertrax inboard aluminum oil seals on front applications.

1. Follow the same REAR APPLICATION steps above, with just one exception: the steel seal housing should be recessed approximately 1-1/2” in from tube end as shown in Fig 1. This will provide the necessary clearance between it and Spidertrax 2-Piece Ultimate Axle Shafts.

Spidertrax Disclaimers & Warranty Card is located on the back of these instructions.





SPIDERTRAX
OFF-ROAD

Disclaimers & Warranty

WARNING

INSTALLATION OF ANY COMPONENT OR SYSTEM SHOULD ONLY
BE PERFORMED BY THOSE EXPERIENCED IN AUTOMOTIVE
MECHANICS AND PROCEDURES.

Spidertrax warrants only to the original purchaser that all products will be free from defects in materials and workmanship. The foregoing warranty is subject to the proper installation, operation and maintenance of the product in accordance with the installation instructions supplied. Warranty claims must be made by the purchaser in writing within 30 days of the manifestation of a problem and purchaser must present acceptable proof of original ownership (such as copy of original receipt). Spidertrax reserves the right, before having any obligation under this Limited Lifetime Warranty, to inspect the damaged product and all costs of shipping the product to Spidertrax for inspection shall be borne solely by the purchaser. Spidertrax's sole obligation under the foregoing warranty is, at Spidertrax's option, to repair, replace or correct any such defect that was present at the time of delivery. The foregoing warranty is not transferable to another party and does not apply to any purchaser who bought the product from a reseller or distributor not authorized by Spidertrax.

FOR OFF-ROAD USE ONLY

DRIVE THE VEHICLE UNDER CONTROLLED CONDITIONS TO
ENSURE PROPER INSTALLATION OF COMPONENTS. GRADUALLY
WORK UP TO FOUR WHEELING SPEEDS.



Outboard Oil Seal Kit Installation Instructions

ISTSLI312D-10